



Yiwu Xinyuan Technology Co.,Ltd.

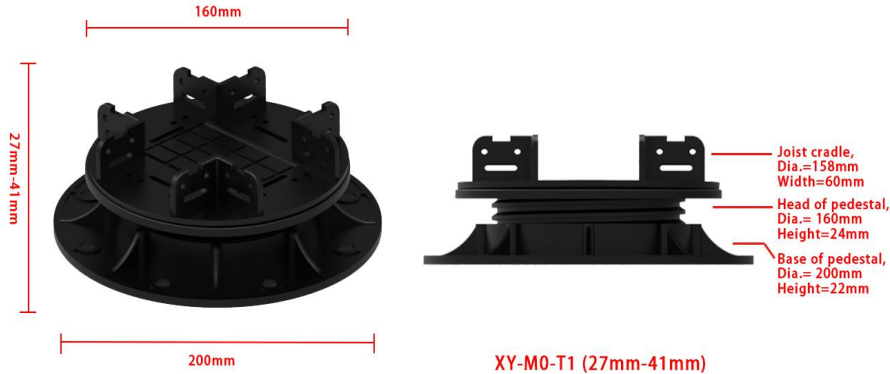
Tel:+86 188 6816 8090 (Kris)

Email:kris@xypedestal.com

Web:www.xypedestal.com

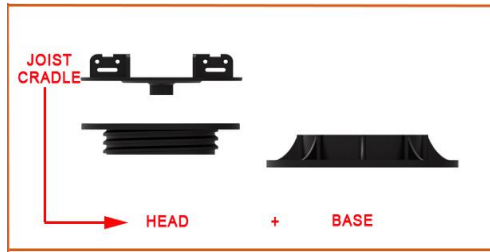
Add:Intelligence Pioneer Park,Fotang Town,Yiwu,China

Adjustable Pedestal XY-M0-T1 Data Sheet



XY-M0-T1 (27mm-41mm)

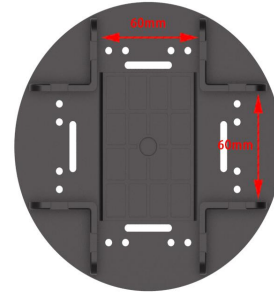
Composition



1 head(24mm)+ 1 joist cradle +1 base(22mm)

Details

Joist cradle
diameter=158mm
width=60mm



Height Range

27mm-41mm

Material

Composition:90%PP,10% talc,UV adn black masterbatch;
100% recyclable

Performances

Resisting UV rays,weather, sea salt and almost all chemicals
Temperature range :-40°C to 120°C

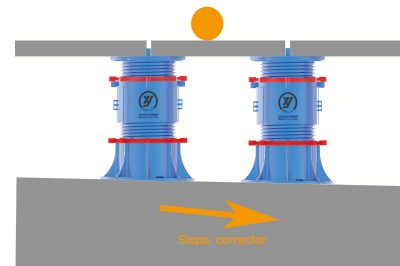
Application area

Support for outdoor terraces with any kind of material:timber decking,
stone,ceramic,composite materials,metal, fiberglass grid.
Can be placed on any stable substrate,aslo over insulation panels.

Slope corrector

Slope corectors could compensate ground fall 0%-5%
making ideal levelling surface.
choose to use it or not with different installing conditions.

Slope corrector:
compensate
slope 0%-5%



Compression test

Performed on the full(1/1),half(1/2)and quarter(1/4) surface of the head

| Position | Height(mm) | Breaking Load(kgs) |
|----------|------------|--------------------|
| 1/1 | 30 | 4860 |
| 1/2 | 30 | 4250 |
| 1/4 | 30 | 2420 |

Safety value for maximum allowable load by compression for XY-M0-T1:
★Safety for pedestrian terraces:divide the load indicated in the table by 2
with a safety factor of -15%
★Safety for technical floor:divide the load indicated in the table by 4 with
a safety factor of -15%

Weight(g/set)

| | | | |
|--------------|-----|------|-----|
| joist cradle | 120 | head | 110 |
| | | base | 135 |
| Total | | 365 | |