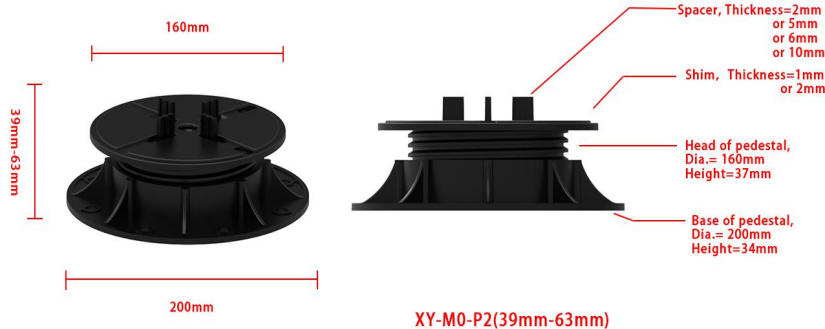




Adjustable Pedestal XY-M0-P2 Data Sheet



XY-M0-P2(39mm-63mm)

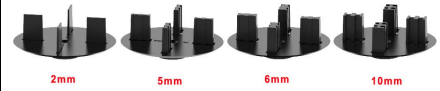
Composition



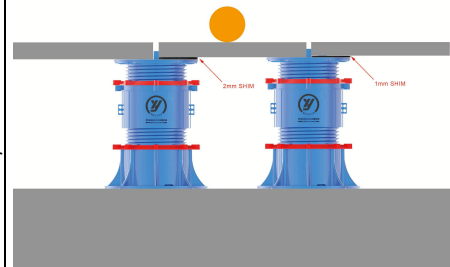
1 head(37mm)+ 1 sapcer+1 shim +1 base(34mm)

Details

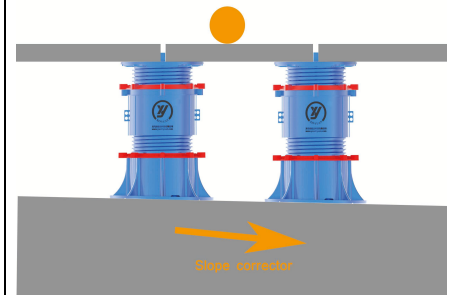
Spacer tabs
thickness:
2mm/5mm
/6mm/10mm



Shim:anti-slip,
reduce impact,
absorb shock
and sound,
compensate floor
thickness
difference.



Slope corrector:
compensate
slope 0%-5%



Height Range

39mm-63mm

Material

Composition:90%PP,10% talc,UV adn black masterbatch;
100% recyclable

Performances

Resisting UV rays,weather, sea salt and almost all chemicals
Temperature range :-40℃ to 120℃

Application area

Support for outdoor terraces with any kind of material:timber decking,
stone,ceramic,composite materials,metai, fiberglass grid.
Can be placed on any stable substrate,aslo over insulation panels.

Slope corrector

Slope corectors could compensat ground fall 0%-5%
making ideal levelling surface.
choose to use it or not with different installing conditions.

Compression test

Performed on the full(1/1),half(1/2)and quarter(1/4) surface of the head

Position	Height(mm)	Breaking Load(kgs)
1/1	50	4650
1/2	50	4130
1/4	50	2350

Safety value for maximum allowable load by compression for XY-M0-P2:
★Safety for pedestrian terraces:divide the load indicated in the table by 2
with a safety factor of -15%
★Safety for technical floor:divide the load indicated in the table by 4 with
a safety factor of -15%

Weight(g/set)

spacer	17	head	130
shim	30	base	175
Total		352	