



Yiwu Xinyuan Technology Co.,Ltd.

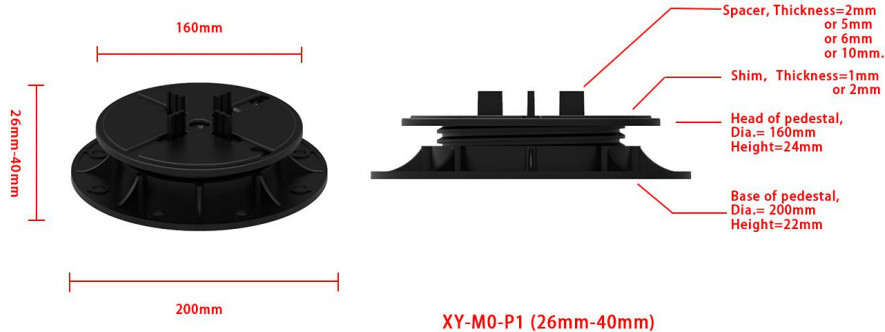
Tel:+86 188 6816 8090(Kris)

Email:kris@xypedestal.com

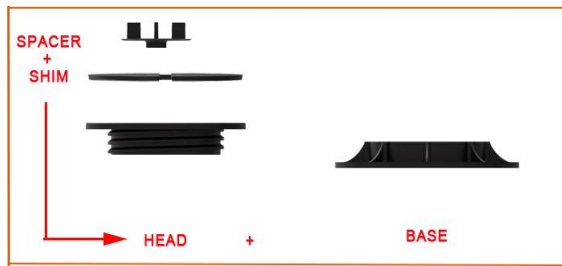
Web:www.xypedestal.com

Add:Intelligence Pioneer Park,Fotang Town,Yiwu,China

Adjustable Pedestal XY-M0-P1 Data Sheet



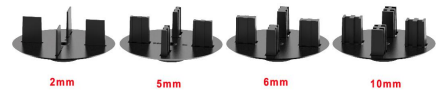
Composition



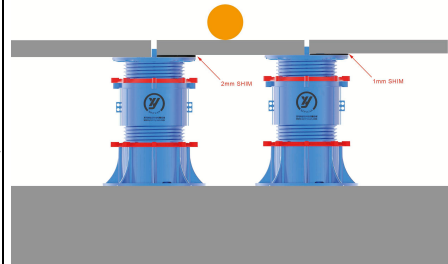
1 head(24mm)+ 1 spacer+1 shim +1 base(22mm)

Details

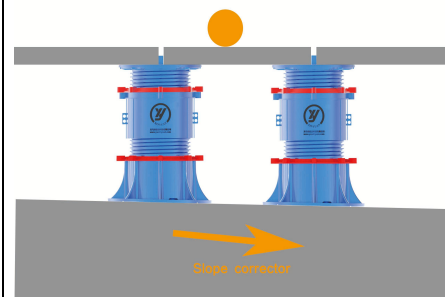
Spacer tabs thickness: 2mm/5mm /6mm/10mm



Shim: anti-slip, reduce impact, absorb shock and sound, compensate floor thickness difference.



Slope corrector: compensate slope 0%-5%



Height Range

26mm-40mm

Material

Composition:90%PP,10% talc,UV adn black masterbatch; 100% recyclable

Performances

Resisting UV rays,weather, sea salt and almost all chemicals
Temperature range :-40℃ to 120℃

Application area

Support for outdoor terraces with any kind of material:timber decking, stone,ceramic,composite materials,metai, fiberglass grid. Can be placed on any stable substrate,aslo over insulation panels.

Slope corrector

Slope corectors could compensate ground fall 0%-5% making ideal levelling surface. choose to use it or not with different installing conditions.

Compression test

Performed on the full(1/1),half(1/2)and quarter(1/4) surface of the head

Position	Height(mm)	Breaking Load(kgs)
1/1	30	4860
1/2	30	4250
1/4	30	2420

Safety value for maximum allowable load by compression for XY-M0-P1:
★Safety for pedestrian terraces:divide the load indicated in the table by 2 with a safety factor of -15%
★Safety for technical floor:divide the load indicated in the table by 4 with a safety factor of -15%

Weight(g/set)

	Weight(g)		Weight(g)
spacer	17	head	110
shim	30	base	135
Total		292	